

F30

DIRECT DRIVE TROWEL

From Float to Finish it's still the Master



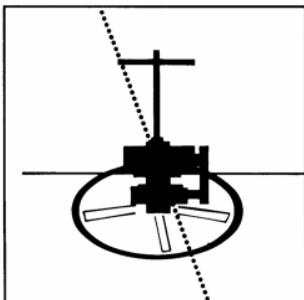
Features and Benefits:

- Direct Drive Means:
 - Low Center Of Gravity
 - No Belt To Adjust
 - Less Wobble And Side Torque
 - Increased Power to Gearbox And Spider
 - Longer Blade Life
- Only Direct-Drive Trowel In The Industry
- Fully Enclosed Blade-Pitch Mechanism
- Electric Deadman Switch For Safety
- Heavy-Duty Gearbox Standard

What Direct-Drive Means to the Professional Finisher

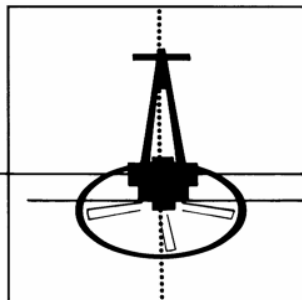
Conventional Belt Drive:

Has a high center of gravity and an unbalanced transfer of power from the engine to belt to gear box to blades which creates wobble and a loss of power.



Direct - Drive:

Has a low center of gravity and balanced power transfer which means a smoother, flatter finish with easier handling.



Belt Drive Center of gravity
Direct-Drive Center of gravity



MASTER

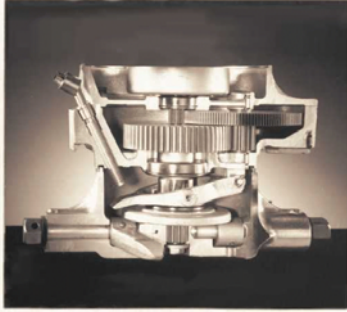
A PRODUCT OF
Master Equipment
850 State Hwy 55
Brooten MN 56316
Ph (612) 414-8081

www.master.equipment

MODEL F30

From float to finish it's still the Master

F30 FEATURES:



The unique enclosed spider assembly eliminates concrete build-up around gearbox and pitch control mechanism.



Electric deadman switch insures operator safety and security.



SPECIFICATIONS

Model	Ring Diameter: in. (cm)	Power Unit:	hp (kW)	Number of Blades:	Rotor Speed: rpm	Trowel Width: in. (cm)	Operating Weight: lbs. (kg)	Shipping Weight: lbs. (kg)
F30H4-5	30" (76)	Honda	5.5 (4.1)	4	60-120	32.5" (91)	140 (63)	250 (114)

† Crated Dimensions **F30** 40 x 40 x 36 in. (102 x 102 x 91 cm)

* 3-blade models available upon request

* Channel-mount finish blades standard with each unit

Specifications subject to change without notice. Photographs or drawings in this literature may include optional equipment which may be purchased at additional cost from Arrow-Master. The only warranty applicable is our standard written warranty. We make no other warranty, expressed or implied.

OPTIONS:

- Combination Blades
- Float Blades
- Adjustable Handle

Distributed by:



MASTER

A PRODUCT OF
Master Equipment

850 State Hwy 55
Brooten MN 56316
Ph (612) 414-8081

www.master.equipment

PRODUCTS:

MOBILE HYDRAULIC HAMMERS

WALK- BEHIND TROWELS

PLATE COMPACTORS

TRUSS SCREED